

AGITATOR / AGITADOR / AGITATEUR 65782, 651103, 651104-X, 651852, 651853



**READ THIS MANUAL CAREFULLY BEFORE INSTALLING,
OPERATING OR SERVICING THIS EQUIPMENT.**

It is the responsibility of the employer to place this information in the hands of the operator. Keep for future reference.



**LEA CUIDADOSAMENTE ESTE MANUAL ANTES DE INSTALAR
ESTE EQUIPO, OPERARLO O REALIZARLE SERVICIO.**

El empleador es responsable de poner esta información en manos del operador.



**LIRE ATTENTIVEMENT CE MANUEL AVANT D'INSTALLER,
D'UTILISER OU DE REPARER CET APPAREIL.**

L'employeur est chargé de mettre ces informations à la disposition de l'opérateur.

INCLUDES: The 650250 Air Motor, Air Control Valve.

Incluye: 650250 Motor de aire, Valvula de control

Comprend: 650250 Moteur pneumatique, Clapet de commande

MODEL / MODELOS / MODELES	SIZE	ROD VATILLA / TIGE	TYPE / TIPO / TYPE	PROPELLOR HELICE
651103	55G	316 S'STL	DRUM SIDE STYLE / ESTILO DEL LADO DEL TAMBOUR / MODELE AVEC TAMBOUR LATERAL	... 2 (RH)
651104-1	55G	316 S'STL	FLANGE / BRIDA / BRIDE	1 (RH), 1 (LH)
651104-3	5G	316 S'STL	FLANGE / BRIDA / BRIDE	1 (RH)
651852	55G / 400#	CS	W / 66197 DRUM COVER / TAPA DEL TAMBOR / COUVERCLE DE TAMBOUR	1 (RH), 1 (LH)
651853	55G	316 S'STL	W / 67141 SS DRUM COVER / TAPA DEL TAMBOR / COUVERCLE DE TAMBOUR	1 (RH), 1 (LH)
65782	55G	CS	FLANGE / BRIDA / BRIDE	2 (RH)

SPECIFICATIONS / ESPECIFICACIONES / SPECIFICATIONS

MAX AIR INLET PRESSURE 100 PSI (7.0 bar)

HORSEPOWER95 HP

RPM RANGE 300-3000

AIR INLET / TOMA DE AIRE / ADMISSION D'AIR: 1/4" NPT

ROTATION COUNTER-CLOCKWISE / SENTIDO CONTRARIO / SENS ANTIHORAIRE

MUFFLER / SILENCIADOR / SILENCIEUX: INCLUDED / INCLUIDO / COMPRIS



INGERSOLL-RAND COMPANY
ONE ARO CENTER • BRYAN, OHIO 43506-0151

☎ (419) 636-4242 • FAX (419) 633-1674

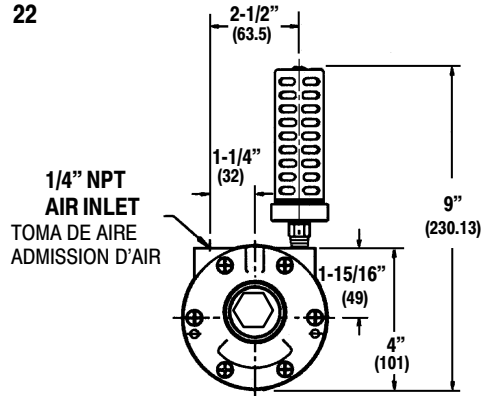
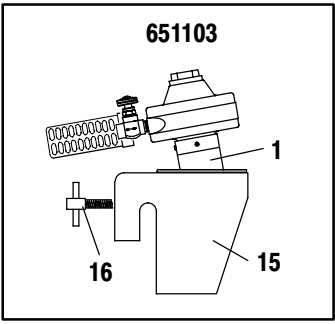
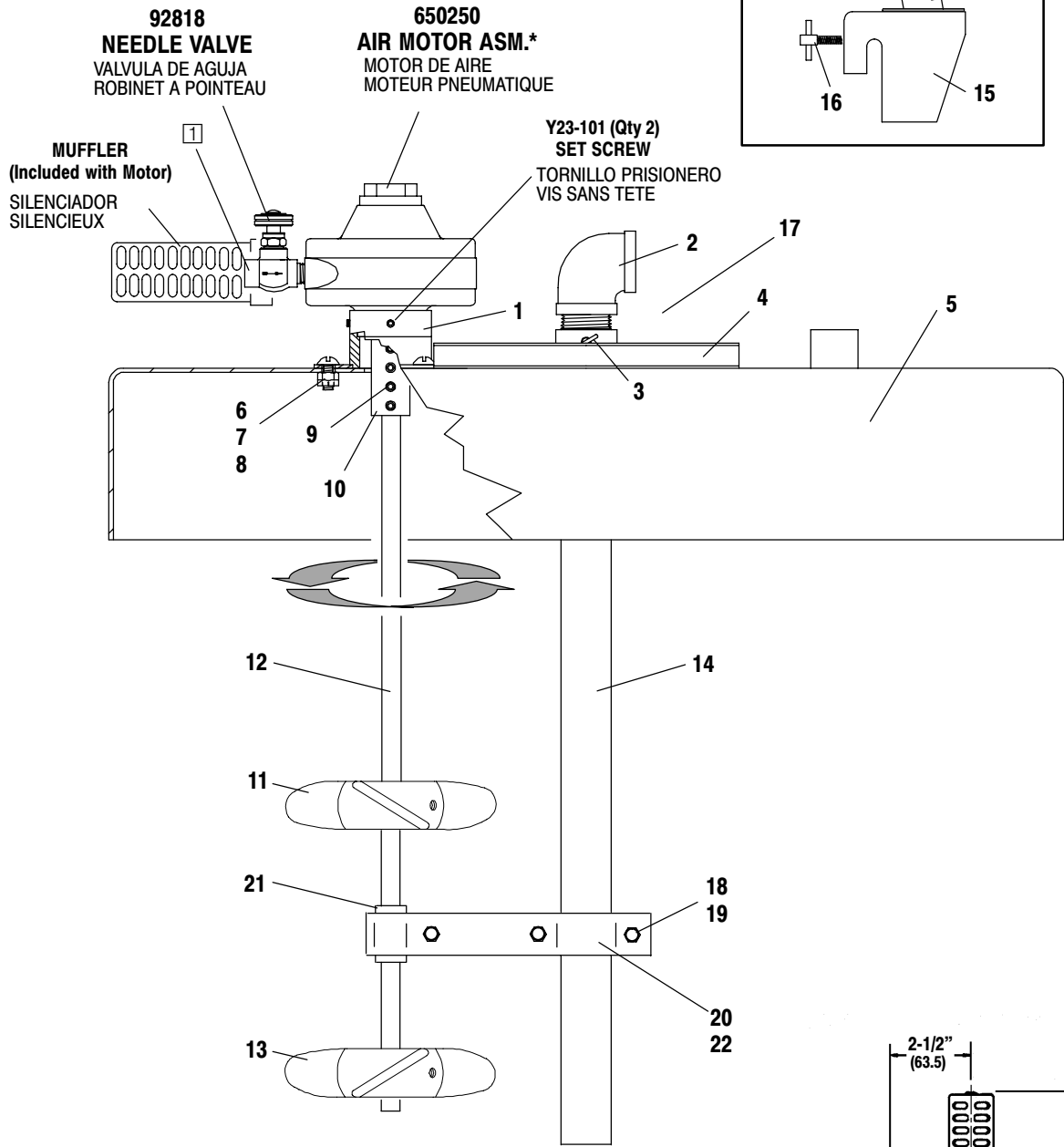
©1999 • PRINTED IN U.S.A.

INGERSOLL-RAND FLUID PRODUCTS

PARTS LIST / LISTA DE PIEZAS / LISTE DES PIÈCES

Item Elemento Article	Description (size in inches) Descripción (tamaño en pulgadas) Description (taille en pouces)	Qty Cant. Quan.	651103 (55 GAL)	651104-1 (55 GAL)	651104-3 (5 GAL)	651852 (55 GAL)	651853 (55 GAL)	65782 * (55 GAL)
1	Motor Base	(1)	66085	75704	75704	75704	75704	75704
2	Street Elbow (1 N.P.T.F.)	(1)	-	-	-	-	Y43-16-S	-
3	Thumb Screw	(1)	-	-	-	-	94078	-
4	Lid	(1)	-	-	-	-	94411	-
5	Cover	(1)	-	-	-	66197	67141	-
6	Screw (5/16 - 18 x 5/8)	(3)	Y6-52-C	Y8-58-S	Y8-58-S	Y8-58-C	Y8-58-S	Y8-58-C
7	Washer (5/16)	(3)	Y14-516	-	-	-	-	-
8	Nut (5/16 - 18)	(3)	Y12-5-C	Y170-5-S	Y170-5-S	Y12-5-C	Y170-5-S	Y12-5-C
9	Set Screw (14 - 20 x 1/4)	(4)	Y29-42-K	Y29-42-S	Y29-42-S	Y29-42	Y29-42-S	Y29-42-K
10	Adapter	(1)	75708	92348	92348	75708	92348	75708
11	Propellor LH Pitch	(1)	-	94782-1	-	73121	94782-1	-
12	Rod	(1)	92094-1 (32")	92094-1 (32")	92094-3 (10-1/2")	73120 (32")	92094-1 (32")	73120 (32")
13	Propellor RH Pitch	(1)	94783-2 (Qty 2)	94783-2	94783-2	73122	94783-2	94783-2 (Qty 2)
14	Tube	(1)	-	-	-	91565	94415-2	-
15	Drum Bracket	(1)	66086	-	-	-	-	-
16	"T" Screw	(1)	61115	-	-	-	-	-
17	Bung Adapter	(1)	-	-	-	71092	-	-
18	Screw	(X)	-	-	-	Y6-52-C (3) (5/16 - 18 x 5/8)	-	Y6-42-C (2) (1/4 - 20 x 5/8)
19	Nut	(X)	-	-	-	Y12-5-C (3) (5/16 - 18 x 5/8)	-	Y12-4-C (2) (1/4 - 20 x 5/8)
20	Clamp	(2)	-	-	-	75712	-	90627-2
21	Spool	(1)	-	-	-	83187	-	83187
22	Washer (spacer) (1/4)	(2)	-	-	-	-	-	Y13-4-C

* Model 65782 includes 90417-3 Tube, 59745-156 Male Elbow, 59688-156 Connector. (Not shown)
 Modelo 65782 incluye 90417-3 Tubo, 59745-156 Codo Macho, 59688-156 Conector. (No mostrado)
 Modèle 65782 comprend 90417-3 Tuyau, 59745-156 Coude Mâle, 59688-156 Connecteur. (Non illustré)



* Manufactured by:
 Gast Manufacturing Corp., P.O. Box 97, Benton Harbor Mich.
 Lit. No. 2AM-NCW-7A, (parts and service information).

